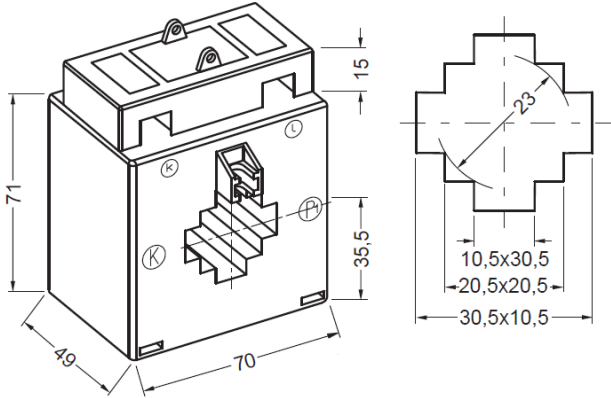


BUSBAR TYPE CURRENT TRANSFORMER

IPA30.5



Round conductor
Primary busbar

Weight

23 mm
30 x 10 mm
20 x 10 mm
500 – 800 g

I _{iso}	Cl.	RATED PRIMARY CURRENT I _{pr}											A	
		40	50	60	75	80	100	125	150	200	250	300		
5 A	1	1,25	1,25	1,25	2,5	2,5	2,5	5	5	10	10	10		VA
			2,5	2,5	5	5	5	10	10	15	15	20		
				3,75			7,5		15	20	20	30		
	0,5	1	1	1	1	2,5	2,5	2,5	5	10	10			
		1,5	2,5	2,5	2,5	2,5	5	5	5	10	15	15		
	0,5S	1	1	1	1	2,5	2,5	2,5	5	5	10	10		
					2,5	2,5	5	5	5	10	10	15		
								7,5	10	15	15			
	0,2					2,5	2,5	2,5	2,5	5	5			
							5	5	5	10	10			
									10	15	15			
	0,2S					2,5	2,5	2,5	2,5	2,5	2,5	2,5		
								5	5	5	5			
										7,5	10			
1 A	1	1,25	1,25	2,5	2,5	2,5	2,5	2,5	5	5	5		VA	
			2,5	2,5	3,75	5	5	5	5	10	10	10		
							7,5	10	15	20	20			
	0,5	1	1	1	1	2,5	5	5	5	5	5			
		1,5	2,5	2,5	2,5	2,5	5	7,5	10	10	15	15		
	0,5S	2,5								15	20			
		1	1	1	1	2,5	2,5	2,5	5	5	5			
					2,5	2,5	5	5	5	10	10			
	0,2							7,5	10	15	15			
						2,5	2,5	2,5	2,5	5				
							5	5	5	10	10			
	0,2S								10	15				
					2,5	2,5	2,5	2,5	2,5	2,5	2,5			
								5	5	5				
										7,5				

ACCESSORIES (INCLUDED IN THE SCOPE OF SUPPLY):

- 1 pc. primary busbar fixing clamps (type A30)
- 2 pcs. headless set screws M5x35
- 1 pc. secondary terminal cover (black)
- 2 pcs. mounting feet

OPTIONAL ACCESSORIES:

- Snap-on mounting brackets for rail TS35 (DIN EN 60715)
 - Rotatable metal plate
 - Rigid plastic clips
- Copper busbars in different sizes
- Insulating protective caps for primary busbar set screws

GENERAL TECHNICAL DATA:

Highest voltage for equipment U_m	0,72 kV
Rated power frequency withstand voltage (r.m.s.)	3 kV / 1 min
Rated frequency	50 / 60 Hz
Rated continuous thermal current I_{cth}	1,2 x I_{pr}
Instrument security factor	FS5 or FS10
Rated short-time thermal current I_{th}	60 x I_{pr} for 1 sec; max. 50 kA for 1 sec
Rated dynamic current I_{dyn}	2,5 x I_{th}
Environmental conditions	Indoor use
Ambient air temperature (operating)	-5°C ... +40°C (other temperatures on request)
Ambient air temperature (storage / transport)	-40°C ... +60°C
Short-term temperature of primary conductor	Max. 170°C for 1 sec
Insulating class	H
Standards	DIN EN 61869 Teil 1 + 2, DIN VDE 0414 DIN EN 42600 Teil 1 + 2
Enclosure	Break-proof polyamide, flame retardant
Secondary terminals	Nickel-plated crosshead screws (2 Nm), integrated secondary terminal cover

SPECIAL DESIGNS (UPON REQUEST):

- Other ratios, burdens or accuracy classes
- Cast resin encapsulation
- Highest voltage for equipment 1,2 kV