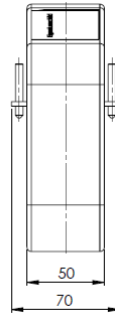
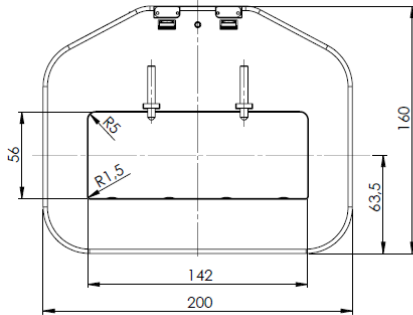


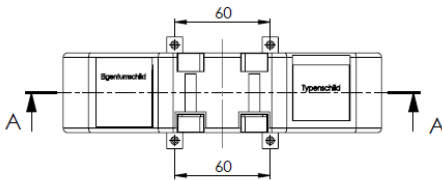
BUSBAR TYPE CURRENT TRANSFORMER

20A1456.5 [k / ffp]



Primary busbars
Weight

3 x 140 x 10 mm
2,1 - 2,7 kg



I_{sec}	Cl.	RATED PRIMARY CURRENT I_{pr}					A
		1000	2000	3000	4000	5000	
5 A	1	5	10	10	10	10	VA
		10	20	20	20	20	
	0,5	5	10	10	10	10	
		10	15	15	15	15	
	0,5S	5	10	10	10	10	
		10	15	15	15	15	
	0,2	2,5	5	10	10	10	
		5	10	15	15	15	
	0,2S	2,5	2,5	10	10	10	
		5	5	15	15	15	

ACCESSORIES (INCLUDED IN THE SCOPE OF SUPPLY):

- 2 pcs. primary busbar fixing clamps
- 4 pcs. headless set screws M5x35
- 4 pcs. insulating protective caps for primary busbar set screws
- 2 pcs. secondary terminal cover (yellow sliders)
- 4 pcs. pressure protective caps for primary busbar set screws

GENERAL TECHNICAL DATA:

Highest voltage for equipment U_m	0,72 kV
Rated power-frequency withstand voltage $(r.m.s.)$	3 kV / 1 min
Rated frequency	50 / 60 Hz
Rated continuous thermal current I_{cth}	1,2 x I_{pr}
Instrument security factor	FS5 or FS10
Rated short-time thermal current I_{th}	60 x I_{pr} for 1 sec; max 100 kA for 1 sec
Rated dynamic current I_{dyn}	2,5 x I_{th}
Environmental conditions	Indoor use
Ambient air temperature (operating)	-5°C ... +40°C (other temperatures on request)
Ambient air temperature (storage / transport)	-40°C ... +60°C
Short-term temperature of primary conductor	Max. 170°C for 1 sec
Insulating class	F (other classes on request)
Standards	DIN EN 61869 /1 + 2; DIN VDE 0414
Enclosure	Break-proof polyamide, flame retardant
Secondary terminals	Nickel-plated crosshead screws (2 Nm), integrated secondary terminal cover

If the distance between the current transformer and close-by current-carrying conductors is short, the measurement accuracy can be influenced by external magnetic field effects. Please ensure sufficient phase-to-phase clearance (at least 0.2 m) when using current transformers, especially from 2000 A or use optional design with external field protection (k / ffp).

SPECIAL DESIGNS (UPON REQUEST):

- [k] compensation winding or [ffp] external magnetic field protection
- Other ratios, burdens or accuracy classes
- Highest voltage for equipment 1,2kV