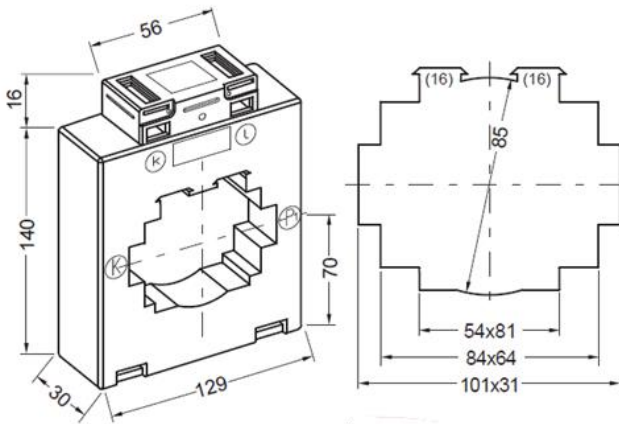


BUSBAR TYPE CURRENT TRANSFORMER

13A1030.3 [ffp5 / ffp10]



Round conductor
Primary busbar

Weight

85 mm
2 x 100 x 10 mm
3 x 80 x 10 mm
4 x 50 x 10 mm
440 – 680 g

I _{ct}	Cl.	RATED PRIMARY CURRENT I _{pr}													A		
		400	500	600	750	800	1000	1250	1500	1600	2000	2500	3000*	4000*			
5A	1	2,5	2,5	5	5	5	5	5	5	5	5	5	5	5	VA		
		5	5	10	10	10	10	10	10	10	10	10	10	10			
							15	15	15	15	15	15	15	15			
	0,5	2,5	2,5	2,5	2,5	2,5	2,5	2,5	2,5	2,5	2,5	5	5	5		5	
			5	5	5	5	5	5	5	5	5	10	10	10		10	
					10	10	10	10	10	10	10	15	15	15		15	
	0,5S			2,5	2,5	2,5	2,5	2,5	2,5	2,5	2,5	2,5	2,5	5		5	
				5	5	5	5	5	5	5	5	5	5	10		10	
						10	10	10	10	10	10	10	10	15		15	
	0,2							2,5	2,5	2,5	2,5	2,5	2,5	5		5	
								5	5	5	5	5	5	10		10	
										10	10	10	10	15		15	
	0,2S									2,5	2,5	2,5	2,5	5		5	
											5	5	5	10		10	
													10				
	1A	1	2,5	2,5	5	5	5	5	5	5	5	5	5	10			VA
			5	5	10	10	10	10	10	10	10	10	10	10		15	
																20	
0,5		2,5	2,5	5	5	5	5	5	5	5	5	5	5	5			
			5	10	10	10	10	10	10	10	10	10	10	10			
														15			
0,5S				5	5	5	5	5	5	5	5	5	5	5			
														10			
														15			
0,2								2,5	2,5	2,5	2,5	2,5	5	5			
								5	5	5	5	5	10	10			
										10	10	10	15	15			
0,2S										2,5	2,5	2,5	2,5	2,5			
											5	5	5	5			
													10	10			

* I_{ct} = 1,0 x I_{pr}

ACCESSORIES (INCLUDED IN THE SCOPE OF SUPPLY):

- 2 pcs. primary busbar fixing clamps (type 16)
- 4 pcs. headless set screws M5x55
- 2 pcs. secondary terminal cover (yellow sliders)
- 4 pcs. pressure protective caps for primary busbar set screws

OPTIONAL ACCESSORIES:

- Primary busbar quick fixing set (type 16-65)
- Snap-on mounting brackets for rail TS35 (DIN EN 60715)
- Insulating protective caps for primary busbar set screws
- Mounting feet

GENERAL TECHNICAL DATA:

Highest voltage for equipment U_m	0,72 kV
Rated power frequency withstand voltage (r.m.s.)	3 kV / 1 min
Rated frequency	50 / 60 Hz
Rated continuous thermal current I_{cth}	1,0 / 1,2 x I_{pr}
Instrument security factor	FS5 or FS10
Rated short-time thermal current I_{th}	60 x I_{pr} for 1 sec; max 100 kA for 1 sec
Rated dynamic current I_{dyn}	2,5 x I_{th}
Environmental conditions	Indoor use
Ambient air temperature (operating)	-5°C ... +40°C (other temperatures on request)
Ambient air temperature (storage / transport)	-40°C ... +60°C
Short-term temperature of primary conductor	Max. 170°C for 1 sec
Insulating class	H
Standards	DIN EN 61869 /1 + 2; DIN VDE 0414
Enclosure	Break-proof polyamide, flame retardant
Secondary terminals	Nickel-plated crosshead screws (2 Nm), integrated secondary terminal cover

If the distance between the current transformer and close-by current-carrying conductors is short, the measurement accuracy can be influenced by external magnetic field effects. Please ensure sufficient phase-to-phase clearance (at least 0.2 m) when using current transformers, especially from 2000 A or use optional design with external field protection (ffp5 / ffp10).

SPECIAL DESIGNS (UPON REQUEST):

- [ffp5 / ffp10] external magnetic field protection, see data sheet 13A1030.3ffp5 / ffp10
- Other ratios, burdens or accuracy classes
- Secondary reconnection
- Cast resin encapsulation
- Highest voltage for equipment 1,2 kV